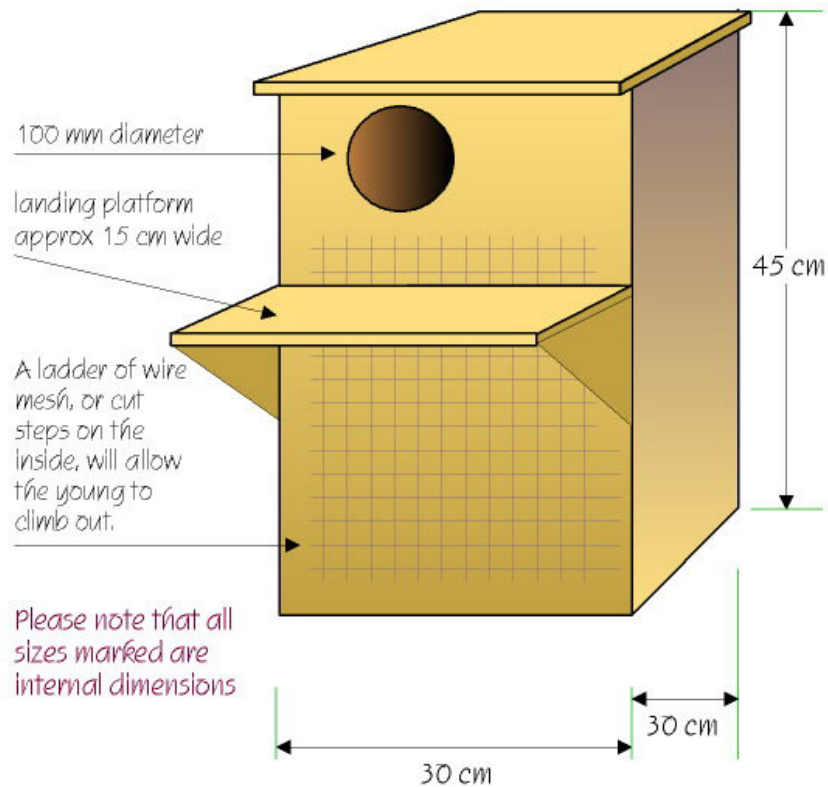
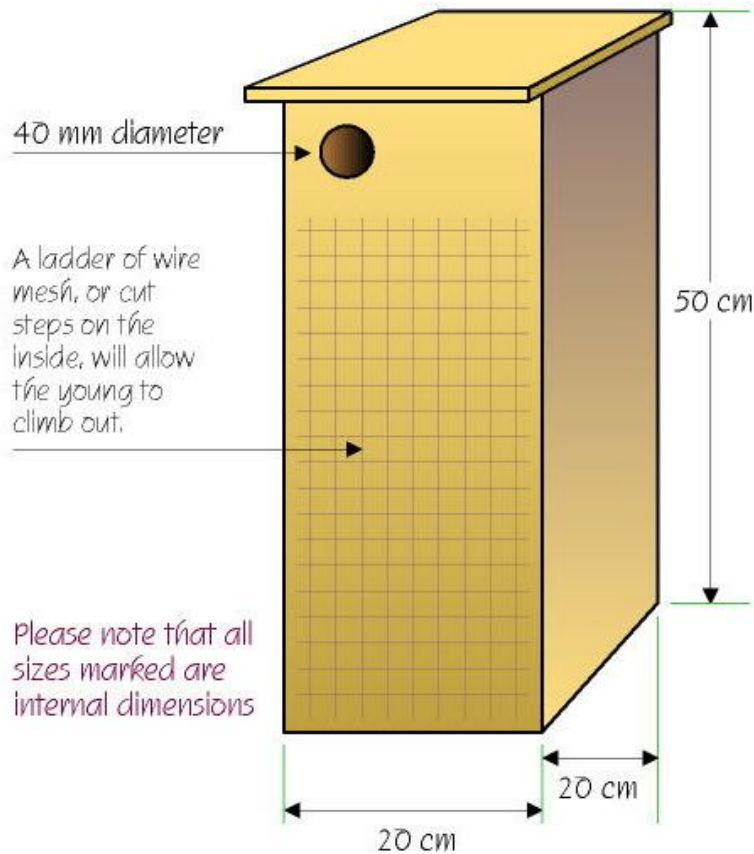


## Brush-tail Possum Nestbox



**FOR BRUSHTAIL POSSUMS, you need to position the box at least 3 - 5 metres above the ground**

## Sugar Glider Nestbox



**FOR SUGAR GLIDERS, you need to position the box 4 - 8 metres above the ground.**